

GRAPPLES

GRAPPLE PALLET FORKS



F6300G2

Arrow's Grapple Pallet Forks provide extra security when tipping loads slightly backwards, as well as traveling over uneven terrain or obstacles. Excellent for grabbing logs, pipes and other long materials as well as large brush and debris cleanup. From skid steers to telehandlers, fits most machine makes and models with quick-coupler or pin-on mounts. All come with single or dual grapple arms with optional grapple tip configurations.

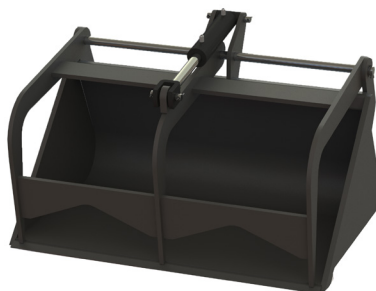
GRAPPLE BUCKETS

The Skid Steer Grapple Bucket functions the same as Arrow's Skid Steer Buckets with the addition of grapple arms. The Grapple Bucket is great for moving scrap, logs, lumber and bulky materials. Individual 3,000 PSI hydraulic cylinders power two heavy-duty grapple arms. The four bottom skid plates and two reinforced side plates provide added durability. Additionally, the low-profile design allows for increased visibility while the 42-inch height increases capacity.



PART NUMBER	CUTTING EDGE	OUTSIDE WIDTH	BUCKET DEPTH	CUBIC YARD	HEIGHT CLOSED	HEIGHT OPEN	INSIDE OPENING	WEIGHT ESTIMATE
2306605WUNG	Weld On	66 in	30 in	.6	28 in	47 in	42 in	820 lb
2307206WUNG	Weld On	72 in	30 in	.7	28 in	47 in	42 in	840 lb
2306605BUNG	Bolt On	66 in	30 in	.6	28 in	47 in	42 in	820 lb
2307206BUNG	Bolt On	72 in	30 in	.7	28 in	47 in	42 in	840 lb

COMPACT SKID STEER BUCKET GRAPPLES



The 36-in or 42-inch wide bucket will fit through a standard gate, great for landscaping work with compact skid steers and compact tractor loaders. Reinforced bucket edges provide added durability.

GRAPPLES

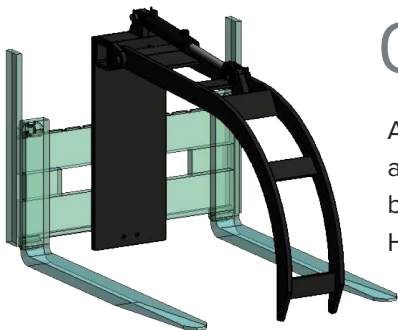
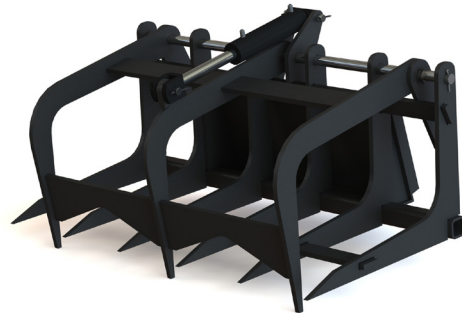


PIPE GRAPPLES

Arrow Pipe Grapples, with a heavy-duty capacity of up to 26,000 lbs are designed to and safely move bulk items and expertly handle installation of utility poles and gas lines. All pipe grapples are designed and built to customer specifications. We can customize the size to your frame, fork dimensions and coupler.

COMPACT SKID STEER GRAPPLE RAKE

The Arrow Compact Skid Steer Grapple Rake fits most brands of stand-up skid steer loaders and tractor loaders. The 41.38-inch wide rake fits through a standard gate, great for narrow spaces. Grapple rakes are an excellent tool for handling brush, branches and landscaping materials. The 2-inch cylinder delivers high clamping force.



CARRIAGE-MOUNT GRAPPLES

Arrow Carriage-Mounted Grapples are great for handling long materials, such as pipe and lumber. Available in two configurations – grapple tip meets level of forks, or drops below level of forks (for clamping on smaller items). Both options open to 71 inches. Highly customizable – can be easily adapted to custom carriages.

Call 800-821-7563 for details and pricing.