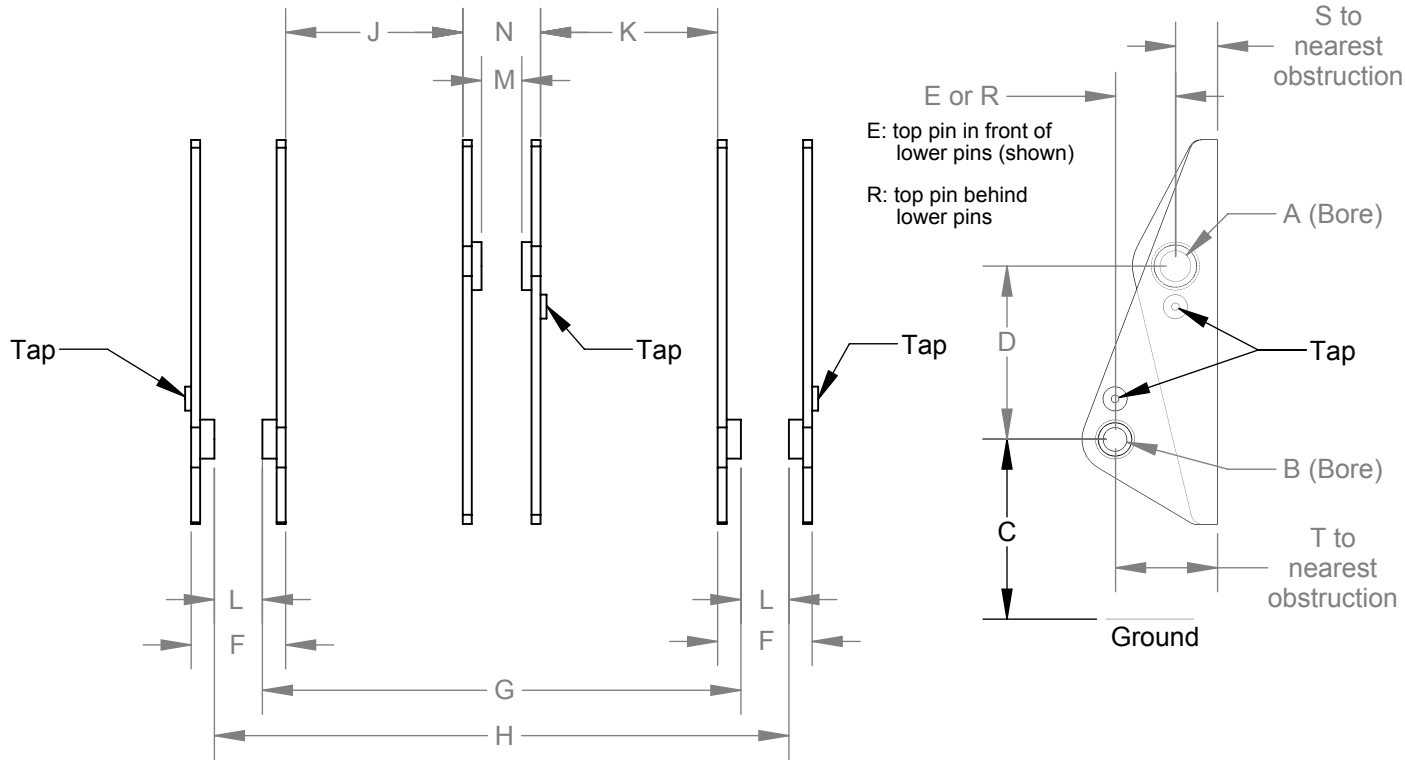
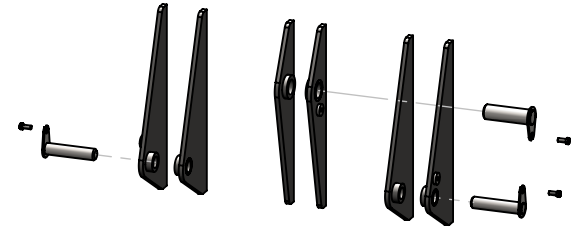
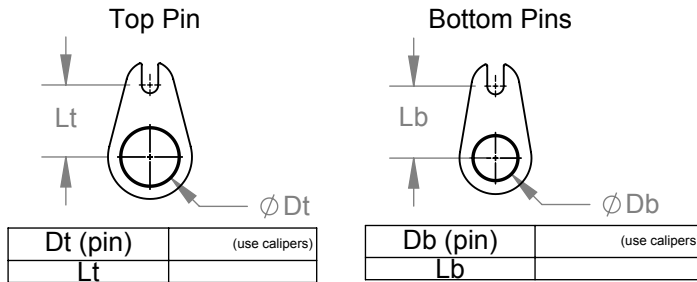


Machine Model #: _____
 Machine Capacity: _____

Fax: 913-227-0523
 SPECIAL ORDER NON RETURNABLE

PROPRIETARY AND CONFIDENTIAL
 THE INFORMATION CONTAINED IN THIS DRAWING IS THE SOLE PROPERTY OF ARROW MATERIAL HANDLING. ANY REPRODUCTION IN PART OR AS A WHOLE WITHOUT THE WRITTEN PERMISSION OF ARROW MATERIAL HANDLING IS PROHIBITED.

Date: _____
 Sales Rep: _____
 Company Name: _____
 Customer Name: _____
 Phone: _____



A (bore)	(use calipers)
B (bore)	(use calipers)
C	
D	
E or R (Not both)	E: _____ / R: _____
F	
G	
H	
J	
K	
L	
M	
N	
S	
T	



Price \$: _____

Estimated Lead Time: _____

Customer Signature: _____ Date: _____

TITLE:
 Hitch, Pin-on, 3PT

	NAME	DATE
DRAWN	VS	17 Mar 15
CHECKED		
ENG APPR.		
MFG APPR.		
Q.A.		

SIZE DWG. NO. REV
A Form-OF-012A

SCALE: 1:16 SHEET 1 OF 1

Rev	By	Date	Description
5			
4			
3			
2			
1			