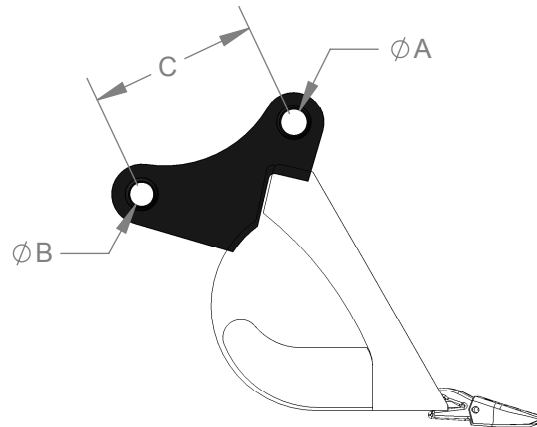
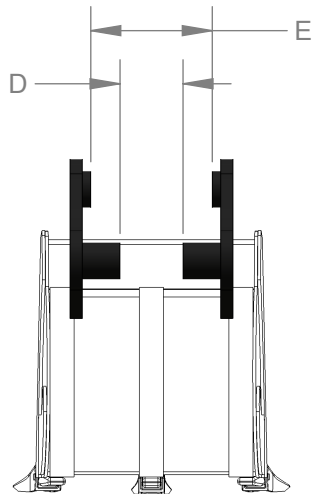
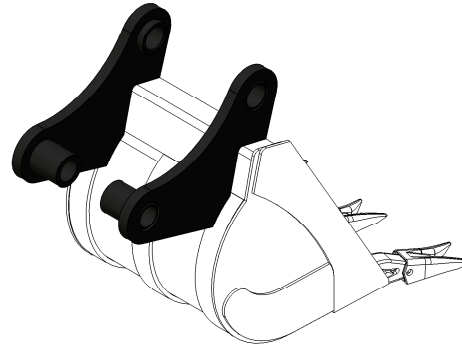


Machine Model #: \_\_\_\_\_  
 Machine Capacity: \_\_\_\_\_

**Fax: 913-227-0523**  
**SPECIAL ORDER NON RETURNABLE**

**PROPRIETARY AND CONFIDENTIAL**  
 THE INFORMATION CONTAINED IN THIS  
 DRAWING IS THE SOLE PROPERTY OF  
 ARROW MATERIAL HANDLING. ANY  
 REPRODUCTION IN PART OR AS A WHOLE  
 WITHOUT THE WRITTEN PERMISSION OF  
 ARROW MATERIAL HANDLING IS  
 PROHIBITED.

Date: \_\_\_\_\_  
 Sales Rep: \_\_\_\_\_  
 Company Name: \_\_\_\_\_  
 Customer Name: \_\_\_\_\_  
 Phone: \_\_\_\_\_



A	
B	
C	
D	
E	



Price per Pair \$: \_\_\_\_\_

Estimated Lead Time: \_\_\_\_\_

Customer Signature: \_\_\_\_\_ Date: \_\_\_\_\_

TITLE:  
**Coupler, Excavator Bucket**

	NAME	DATE
DRAWN	VS	8 May 15
CHECKED		
ENG APPR.		
MFG APPR.		
Q.A.		

SIZE DWG. NO. REV  
**A Form-OF-008F**

SCALE: 1:16 SHEET 1 OF 1

Rev	By	Date	Description
5			
4			
3			
2			
1			

5

4

3

2

1