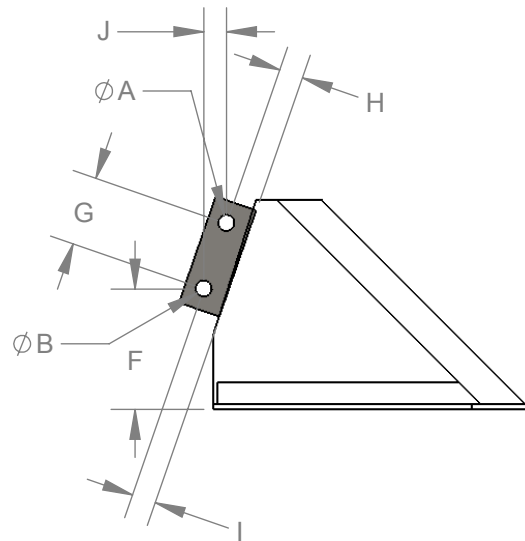
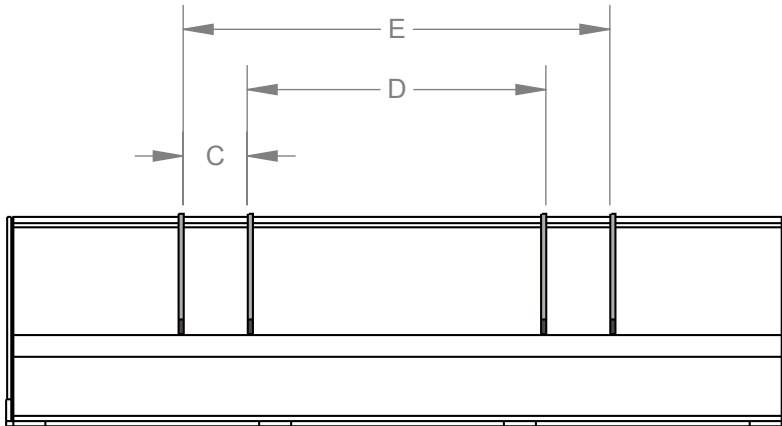
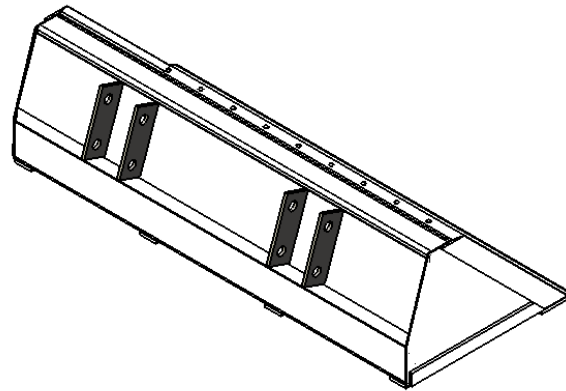


Machine Model #: \_\_\_\_\_  
 Machine Capacity: \_\_\_\_\_

**Fax: 913-227-0523**  
**SPECIAL ORDER NON RETURNABLE**

**PROPRIETARY AND CONFIDENTIAL**  
 THE INFORMATION CONTAINED IN THIS DRAWING IS THE SOLE PROPERTY OF ARROW MATERIAL HANDLING. ANY REPRODUCTION IN PART OR AS A WHOLE WITHOUT THE WRITTEN PERMISSION OF ARROW MATERIAL HANDLING IS PROHIBITED.

Date: \_\_\_\_\_  
 Sales Rep: \_\_\_\_\_  
 Company Name: \_\_\_\_\_  
 Customer Name: \_\_\_\_\_  
 Phone: \_\_\_\_\_



A	Pin Diameter: _____ Hole Diameter: _____
B	Pin Diameter: _____ Hole Diameter: _____
C	
D	
E	
F	
G	
H	
I	
J	



Price \$: \_\_\_\_\_

Estimated Lead Time: \_\_\_\_\_

Customer Signature: \_\_\_\_\_ Date: \_\_\_\_\_

TITLE:  
**Coupler, Bucket**

	NAME	DATE
DRAWN	VS	27 Aug 14
CHECKED		
ENG APPR.		
MFG APPR.		
Q.A.		

SIZE DWG. NO. REV  
**A Form-OF-008A**

SCALE: 1:18 SHEET 1 OF 1

Rev	By	Date	Description
5			
4			
3			
2			
1			

5

4

3

2

1