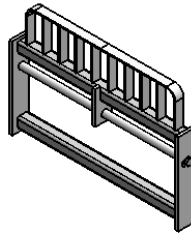


Machine Model #: _____
 Machine Capacity: _____

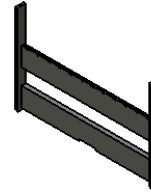
Date: _____
 Sales Rep: _____
 Company Name: _____
 Customer Name: _____
 Phone: _____

Fax: 913-227-0523
SPECIAL ORDER NON RETURNABLE

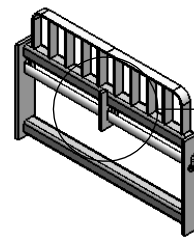
PROPRIETARY AND CONFIDENTIAL
 THE INFORMATION CONTAINED IN THIS DRAWING IS THE SOLE PROPERTY OF ARROW MATERIAL HANDLING. ANY REPRODUCTION IN PART OR AS A WHOLE WITHOUT THE WRITTEN PERMISSION OF ARROW MATERIAL HANDLING IS PROHIBITED.



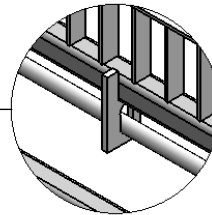
Mount: Shaft
Non Float



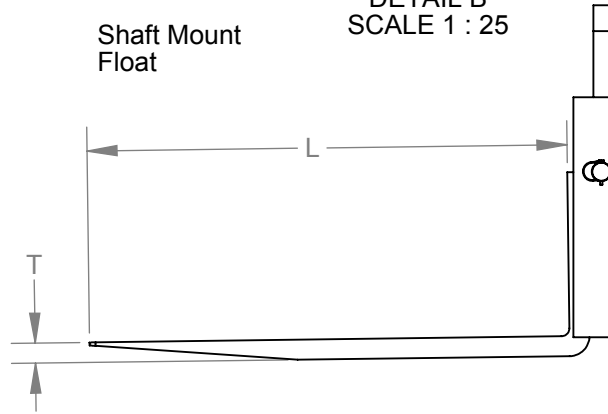
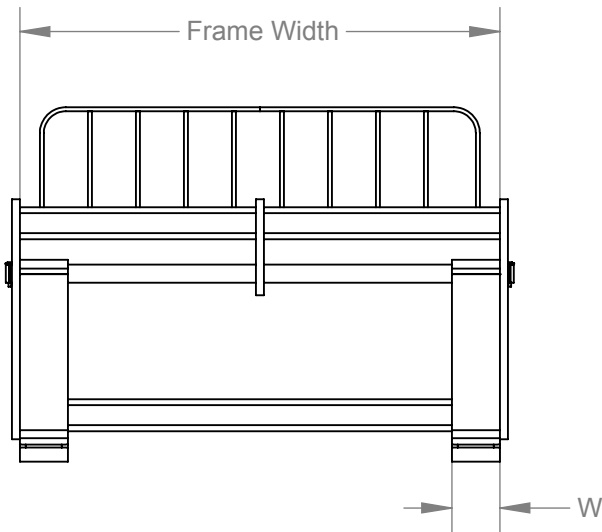
Mount: Rail
(15,000 lb max capacity)



Shaft Mount
Float



DETAIL B
SCALE 1 : 25



Frame Width	
Mount	Shaft / Rail
Forks	Float / Non Float
Fork Size (T x W x L)	
Swing	Yes / No
Capacity	
Fork Positioners	Yes / No



Price \$: _____

Estimated Lead Time: _____

Customer Signature: _____ Date: _____

TITLE:
Frames, Loader

	NAME	DATE
DRAWN	VS	10 Oct 14
CHECKED		
ENG APPR.		
MFG APPR.		
Q.A.		

SIZE DWG. NO. REV
A Form-OF-005B

SCALE: 1:24 SHEET 1 OF 1

Rev	By	Date	Description
5			
4			
3			
2			
1			