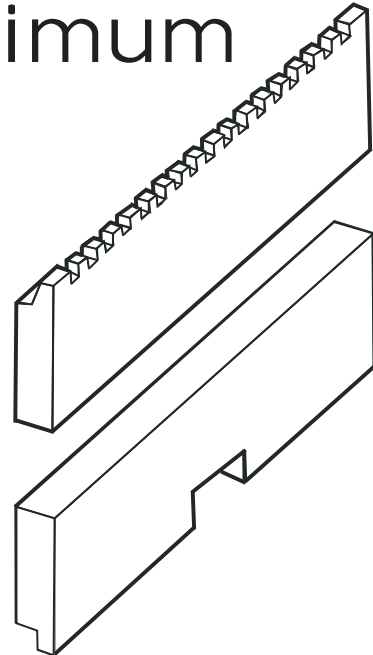


CARRIAGE BARS

(Face plates, bumper bars)

With ARROW Carriage Bars and a little welding, your downtime is kept to a minimum

- Made from high strength carbon or alloy steels
- Standard lengths in one inch increments from 31" to 96", 2" come in 100" lengths
- Class II, III & IV
- Fast delivery!



Part No.	Description	Bar			Class	Part No.	Description	Bar			Class	
		Thickness	Height	Width				Thickness	Height	Width		
3402	Upper/Lower	2	2.375	By the Inch	II	3000	Upper	1.50	7	By the Inch	III	
						3050	Lower	1.50	7			III
1000	Upper	1.25	5		II	3210	Upper/Lower	1.50	7			III
1050	Lower	1.25	5		II	3403	Upper/Lower	2	2.75			III
2000	Upper	1.25	6		II	3500	Upper	2	6			III
2050	Lower	1.25	6		II	3550	Lower	2	6			III
2790	Upper/Lower	1.63	5		II/III	4000	Upper	2	7			IV
						4050	Lower	2	7			IV
						4200	Upper	2	6			IV
						4250	Lower	2	6			IV

IMPORTANT:
When ordering carriage bars, please include both the part number and width required.

ASCB14245



800-821-7563

International Toll Free: 877-821-7575
 16000 W. 108th Street, Lenexa, KS 66219
 Phone (913) 495-4800 • FAX (913) 227-0523
 E-mail: sales@ArrowMHP.com
 or visit: ArrowMHP.com